

유압 펌프 (슬러지제거용)
(DYNASET)

M . I . T

김 보 역 010-5434-5761

DYNASET HYDRAULIC PUMP 장점

HYDRAULIC 장치 (유압기능 탑재된 특장차,포크레인,지게차 등) 기능

있는 **모든장비**에 사용 가능 !

정전시에도 펌프 사용 (발전타입유압펌프) 가능 !

탁수 , 흙탕물 , 슬러지 토출기능 탁월 !

유압호스 (작동) 연결로 사용거리 간섭 무 !



UTILIZE HYDRAULICS - INCREASE PRODUCTIVITY



HSP

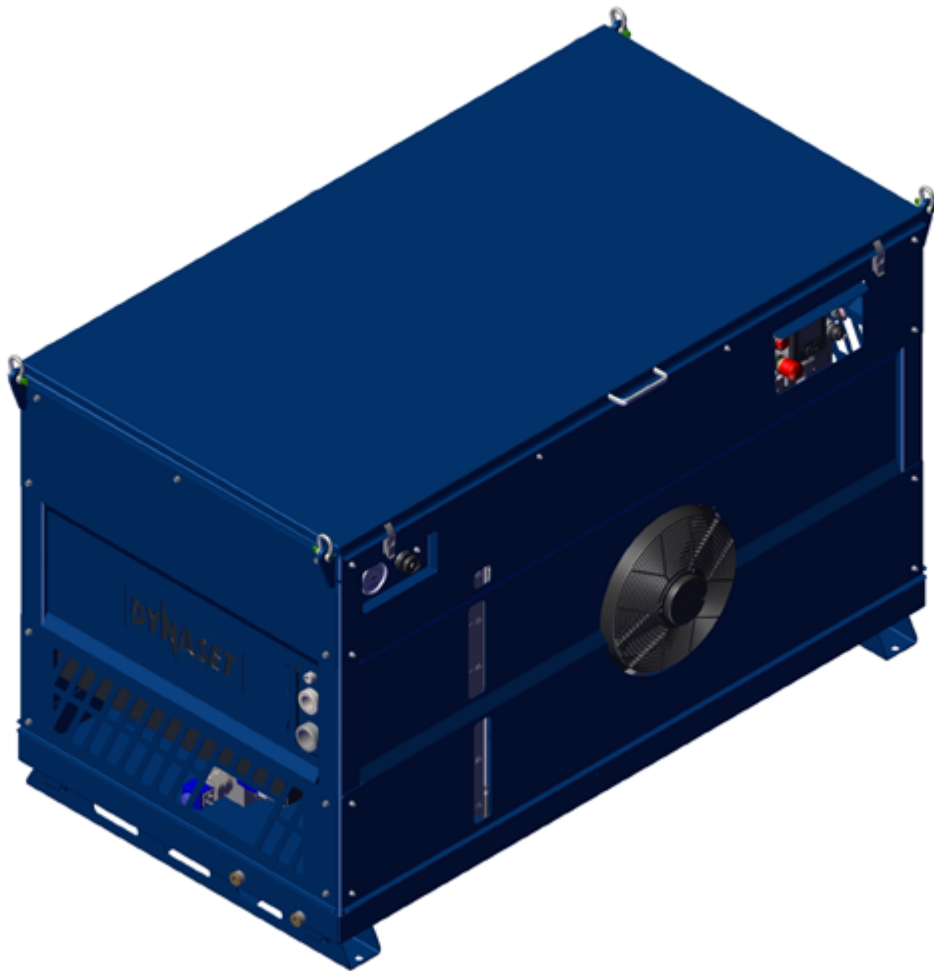
HYDRAULIC SUBMERSIBLE PUMP



HSP

		HSP 600	HSP 1500	HSP 2600	HSP 4000	HSP 7000	HSP 10000	HSP 16000
OUTPUT CHARACTERISTICS								
Output max.	l / min (U.S. gpm)	800 (210)	2000 (530)	3000 (790)	5000 (1300)	8000 (2100)	12000 (3200)	20000 (5300)
Head max.	m (ft.)	30 (100)	25 (80)	35 (115)	30 (100)	35 (115)	35 (115)	35 (115)
Discharge at standard head of 5m	l / min (U.S. gpm)	600 (160)	1500 (300)	2600 (700)	4000 (1000)	7000 (1900)	10000 (2600)	16000 (4200)
Hose Ø	in	2	3	3	5	5	6	6
HYDRAULIC POWER REQUIREMENTS								
Flow max.	l / min (U.S. gpm)	38 (10.0)	40 (10.6)	50 (13.2)	100 (26.4)	169 (44.6)	200 (52.8)	317 (83.7)
Pressure max.	bar (psi)	260 (3700)	180 (2600)	250 (3600)	250 (3600)	350 (5000)	350 (5000)	350 (5000)
OVERALL DIMENSIONS								
Width	mm (in)	140 (5.5)	350 (13.8)	350 (13.8)	450 (17.7)	450 (17.7)	500 (19.7)	650 (25.6)
Height	mm (in)	510 (20.1)	700 (27.6)	700 (27.6)	900 (35.4)	900 (35.4)	1100 (43.3)	1250 (49.2)
Weight	kg (lbs)	7 (15.4)	15 (33.1)	20 (44.1)	45 (99.2)	54 (119)	70 (154.3)	85 (187.4)
Visit our website www.dynaset.com for detailed information.								





rev 1.0

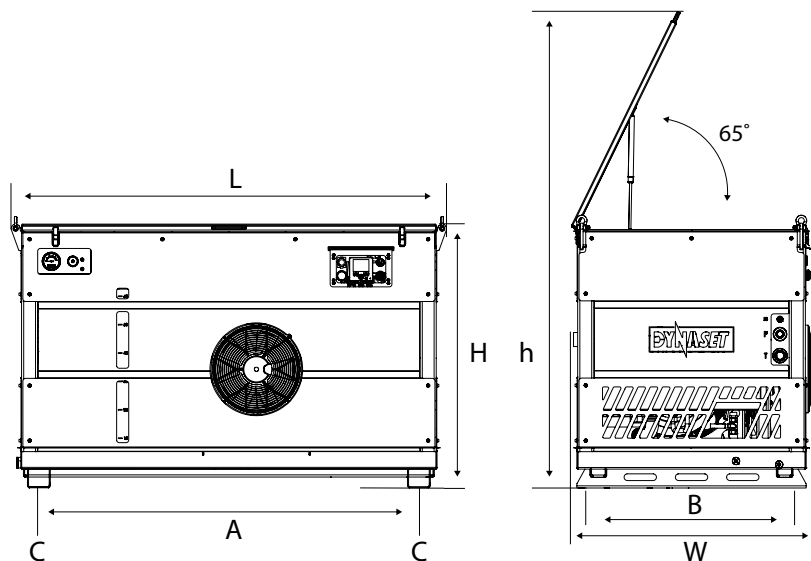
DATA SHEET

HPU-D HYDRAULIC POWER UNIT



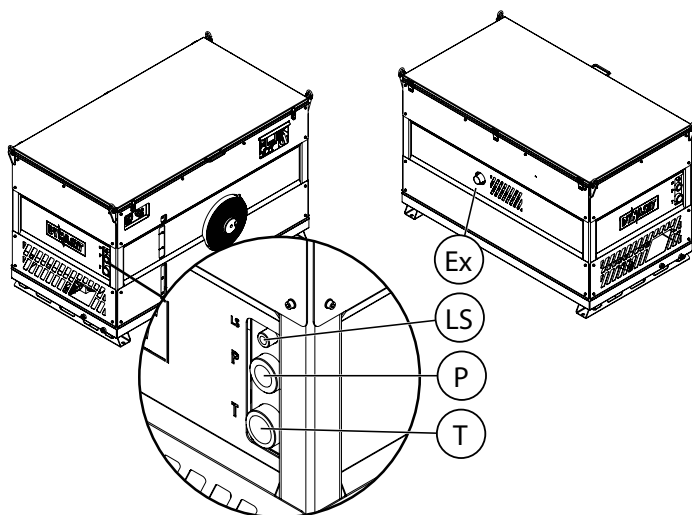
HPU D 55 - 150
HPU D 55 - 210

DIMENSIONS



MODEL	DIMENSIONS, mm (in)							WEIGHT
	L	W	H	h	A	B	C	kg (lbs)
HPU D 55 - 150	1621 (63.8)	906 (35.7)	982 (38.7)	1765 (69.5)	1415 (55.7)	820 (32.3)	Ø17 (0.67)	650 (1430)
HPU D 55 - 210	1621 (63.8)	906 (35.7)	982 (38.7)	1765 (69.5)	1415 (55.7)	820 (32.3)	Ø17 (0.67)	650 (1430)

HYDRAULIC PORTS



MODEL	PRESSURE LINE	RETURN LINE	LS LINE	EXHAUST
	P	T	LS	Ex
HPU D 55 - 150	G 1" - BSPP	G 1 1/4" - BSPP	G 1/4" - BSPP	2"
HPU D 55 - 210	G 1" - BSPP	G 1 1/4" - BSPP	G 1/4" - BSPP	2"

TECHNICAL SPECIFICATIONS

		HPU D 55 - 150	HPU D 55 - 210
HYDRAULIC POWER OUTPUT CHARACTERISTICS			
Output Pressure max.	bar (psi)	350 (5100)	350 (5100)
Output flow max @ 210 bar	l/min (gpm)	150 (39.6)	210 (55.4)
SPECIFICATIONS			
Diesel Engine (EU Stage IIIb/Tier4 Final)	kW	55	55
Fuel tank	l (gal)	60 (15.8)	60 (15.8)
Hydraulic oil tank	l (gal)	60 (15.8)	60 (15.8)
HYDRAULIC FLUID REQUIREMENTS			
Viscosity	cSt	10-200 / optimum 25-35	
Temperature	°C (°F)	max. 70 (158)*	
Filter ratio, recommendation	µm	25≥	
Cleanliness level	ISO 4406	19/17/14	

Gallons are U.S. liquid gallons

* Depending on the hydraulic fluid.

HPU D is equipped with variable displacement hydraulic pump that enables stepless hydraulic pressure adjustment.



Menotie 3
FI-33470 Ylöjärvi, Finland
tel: +358 3 3488 200
info@dynaset.com



ELECTRICITY

HG Hydraulic Generator
HGV POWER BOX Variable Hydraulic Generator System
HGV Variable Hydraulic Generator System
HWG Hydraulic Welding Generator
HGG Hydraulic Ground Power Generator



HIGH PRESSURE WATER

HPW Hydraulic High Pressure Water Pump
HPW Hydraulic Power Washer
KPL High Pressure Street Washing Unit
HPW-DUST High Pressure Dust Suppression System
PPL High Pressure Pipe Cleaning Unit
HPW-FIRE High Pressure Firefighting System
FP Fire Fighting Piercing Kit
HDF Hydraulic Drilling Fluid Pump
JPL High Pressure Bin Washing System
HSP Hydraulic Submersible Pump



COMPRESSED AIR

HK Hydraulic Piston Compressor
HKL Hydraulic Rotary Vane Compressor
HKR Hydraulic Screw Compressor



MAGNET POWER

HMG PRO Hydraulic Magnet Generator
MAG Lift Magnet
HMAG PRO Hydraulic Magnet



VIBRATION

HVB Hydraulic Vibra
HVD Hydraulic Directional Vibra
HRC Hydraulic Reversal Cylinder



POWER BOOSTING

HPI Hydraulic Pressure Intensifier
HPI-C Hydraulic Pressure Intensifier for Cylinder



KNOW-HOW

Hydraulic Power Take-off (PTO)
Hydraulic Power Unit Technology
De-Icing Technology
Installation Valves
HHK Hydraulic Grinder
HV/HVY Hydraulic Winch / Winch Unit

www.dynaset.com

